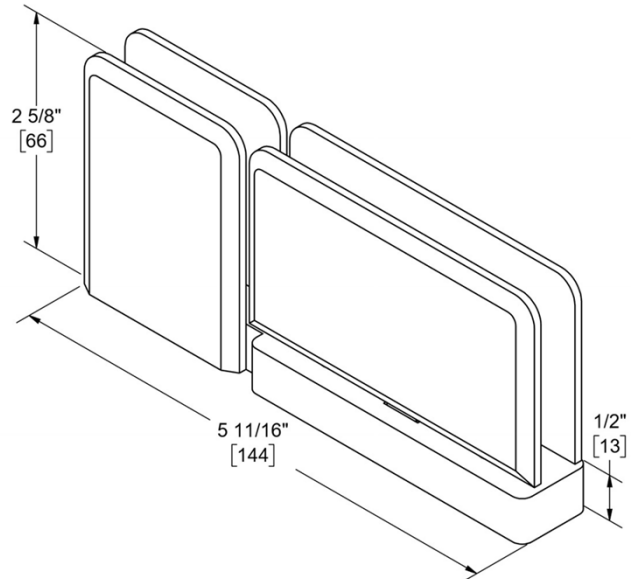
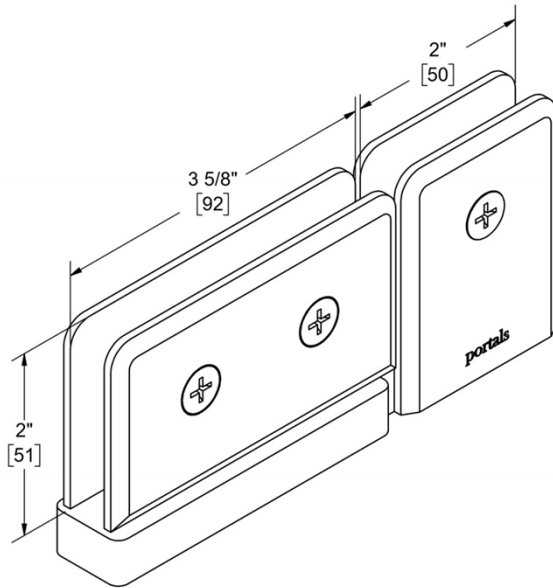


# OCEANA

## STANDARD DUTY PIVOT HINGE WITH CLAMP FOR BOTTOM LEFT OR TOP RIGHT

Product Code: OCN80166

portals



### MATERIALS

- Solid brass body, Dacromet-coated steel springs, stainless steel fasteners, and clear polyurethane gaskets
- Optional Allen head screws for cover plate & #10 x 2" [51 mm] Phillips head wood screws included

### FUNCTION DETAILS

- Pivot hinges support wider, heavier doors because majority of door weight is supported by the floor.
- Self-closing within ~25° of close position.
- Extensive product testing simulates use well beyond the average lifespan of a typical shower enclosure.

### PRODUCT NOTES

- Item requires glass fabrication and should only be used with tempered safety glass.
- When viewed from outside the shower, OCN80166 hinges should be installed in BOTTOM LEFT or TOP RIGHT to position cover plate screws inside the shower.

### CARE & MAINTENANCE

Portals products should be cleaned with water and dried with a soft cloth. Use of harsh or abrasive chemicals may harm finish and will void the warranty.

### WARRANTY

Lifetime warranty for residential use covers defects in material and workmanship of this product.

Max. Capacity:	2 Hinges
Door Width	32" [813 mm]
Door Weight	110 lbs [50 kg]
Glass Thickness	3/8" [10 mm] to 1/2" [12 mm]

# OCEANA

## STANDARD DUTY PIVOT HINGE WITH CLAMP FOR BOTTOM LEFT OR TOP RIGHT

Product Code: OCN80166

# portals

### SIZING/SECURING FIXED PANEL

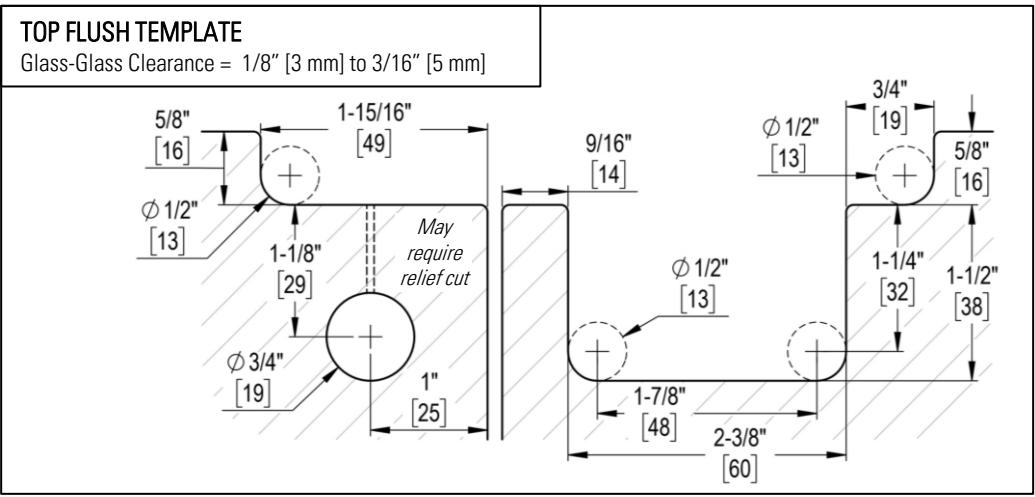
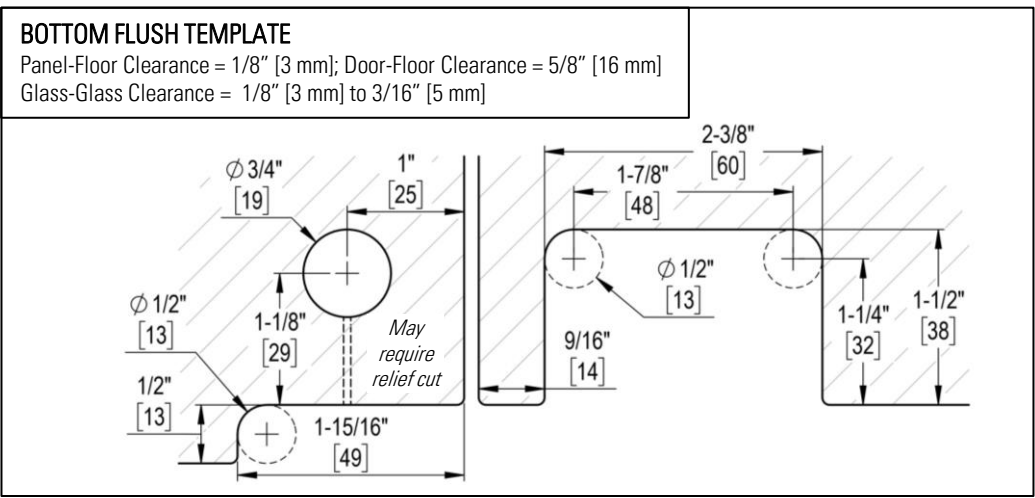
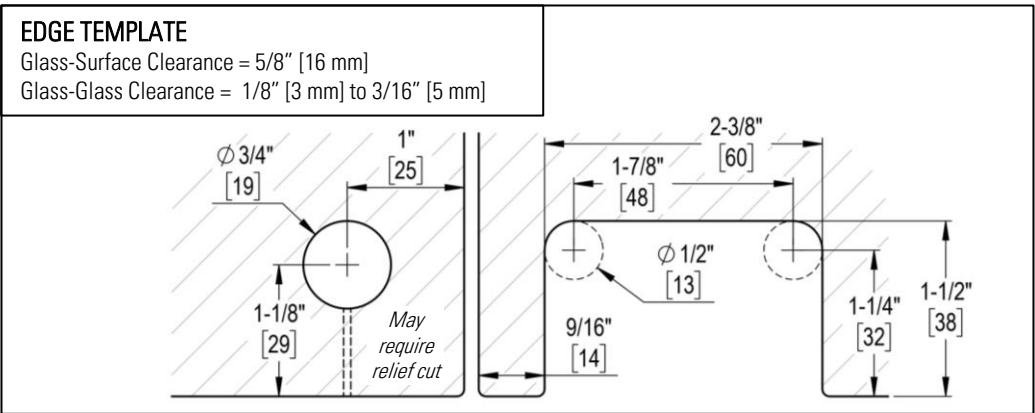
- Max. size for 3/8" [10 mm] panel: 12" [305 mm] x 84" [2134 mm]
- Max. size for 1/2" [12 mm] panel: 22" [559 mm] x 84" [2134 mm]
- Fixed panels should be secured to wall with two heavy duty clamps centered 10" [254 mm] from the top and bottom of panel.
- Two pivot hinge/clamps and two heavy duty clamps provide adequate support for 3/8" [10 mm] and 1/2" [12 mm] fixed panels up to 12" [305 mm] wide, but panels greater than 12" [305 mm] and up to 22" [559 mm] wide require an additional U-clamp along the bottom edge.

### TEMPLATES & CLEARANCES

- Item requires glass fabrication according to the template(s) provided.
- Clearance values must be taken into account when sizing doors and panels.

### INSTALLATION NOTES

- Do not exceed maximum door weight or width.
- Prior to installation, use alcohol pads to thoroughly clean areas of glass that will come in contact with gaskets. These areas should also be free of any protective coatings applied to the glass.
- Cover plate machine screws should only be hand-tightened to 3 ft/lbs.



<b>Max. Capacity:</b>	<b>2 Hinges</b>
<b>Door Width</b>	32" [813 mm]
<b>Door Weight</b>	110 lbs [50 kg]
<b>Glass Thickness</b>	3/8" [10 mm] to 1/2" [12 mm]